

**INFO-Ebene**

MENU → INFO 1: M--NAME 778v → INFO 2: 00 00 778v → INFO 3: 00 00 0000 → INFO 4: TIMER2 0000 → INFO 5: BETR Z 2050 → INFO 6: <BETA> 042 → INFO 7: 35 060 68

**Hauptmenü-Ebene**

INFO → SETUP → GEBER → MIXER → SERVO → MEMO → TIMER

**3D-Digi-Einsteller**

↑ drücken  
↓ drücken  
— drehen  
↻ drehen

INFO und Hauptmenü

Allgemeines

E EASY

S SEGLER

A ACRO

H HELI

**SERVO**

EXIT → SERVO 1 2 3 4 5 6 7 → EXIT

EXIT → MITTE 0% WEG 100% REV 0 → EXIT

**MEMO**

EXIT → GEM ZU → NEU → NAME → KOPIE → LOESCH → EXIT

M--NAME 0  
wähle Zielspeicher → zu INFO 1 in Speicher X

EASY  
wähle Typ: EASY SEGLER ACRO HELI

M--NAME  
(Ziel-)speicher wählen für kopieren, löschen

IN MEM 0  
wähle Zielspeicher

Kein Speicherwechsel mit: Zielspeicher = 0  
Kein neues Modell mit: Zielspeicher = 0

**TIMER**

EXIT → START 1 0000 → T1 SW → T2 SW → RES BZ 1340 → EXIT

Timer 1 Startzeit mm:ss (59:59)  
Timer 1 Schalter  
Timer 2 Schalter  
Betriebszeit rücksetzen hh:mm (99:59)

EXIT → GAS > 54 → COMBI 0% → SP > 0 → F > 0 → H > 0 → SP > F → F > F → H > F → FIX F → QFS 0 → QFS F → EXIT

E S A  
E EASY  
S SEGLER  
A ACRO

S SEGLER

EXIT → HECK → GIER 65% → PITCH 65% → OFFSET 65% → P NULL 12% → EXIT

HELI

EXIT → KREISL → KREISL 65% → HEADG 0 → EXIT

EXIT → KOPF → V--DREH 29 → TYP 0 → EXIT

EXIT → IR 0 100% → IR H 100% → IR S 100% → EXP 0 0% → EXP H 0% → EXP S 0% → EXIT

S SEGLER  
A ACRO

FIX 0 → FIX 100% → FIX H 100% → FIX S 100%

**SETUP**

9.1 EXIT → MODELL → SENJER → LEHRER → LEHRER 0 → ANPASS → ZUORIN → EXIT

9.1 EXIT → BAT AL 740v → TEXT → NAME → RESET 0 → --VER-- 100 → BESITZ → EXIT

EXIT → MODE 4 → GAS R 0 → SP+L R 0 → GASCHK 1 → PHASEN → PHASEN 0 → KOPIE 0 → SPEED 0 → EXIT

Nur SEGLER, ACRO, HELI!

Flugphasen freigeben

Leerlauf/Pitch min. hinten = 0 vorne = 1

**GEBER**

HELI → GAS → PITCH → PIT 0 5 3 75% → PIT P 1 2 3 4 15% → PIT P 5 100% → EXIT

Quick-Select = Kurvenpunkte mit Knüppel wählen

5-Punkt-Pitchkurve

EXIT → GAS 0 5 3 75% → GAS P 1 2 3 4 15% → GAS P 5 100% → GAS MIN 20% → GAS AR 100% → EXIT

Quick-Select = Kurvenpunkte mit Knüppel wählen

5-Punkt-Gaskurve

Gas Minimum Gas für Autorotation

GAS AR 100% mit CS/A-ROT ON → Gas für Autorotation

EXIT → GAS--CO 0% → SP--CO 0% → F--CO 0% → EXIT

V--LEIT 0 → Y--KABL 0.7 → DELTA 0% → EXIT

MIX 1 % → schon definiert? → JA → MIX 2 % → NEIN → MIX DEF ... % → EXIT

MIX 2 % → MIX 3 %

Definieren wie MIX 1! (siehe oben)

**MIXER**

N. Schneider 09.05.06

**Menu level: INFO**

MENU → INFO 1: M--NAME 778v → INFO 2: 00 00 778v → INFO 3: 00 00 0000 → INFO 4: TIMER2 0000 → INFO 5: OP TIM 2050 → INFO 6: 100 → INFO 7: 35 060 68

**Menu level: MAIN**

INFO → SETUP → CONTRL → MIXER → SERVO → MEMO → TIMER

3D digi adjustor

press

turn

INFO and MAIN men.

Miscellaneous

E EASY

S GLIDER

A ACRO

H HELI

**SERVO**

EXIT → SERVO 1 2 3 4 5 6 7

EXIT → CENTR 0% TRAVL 100% REV 0

**MEMO**

EXIT → GO TO → NEW → NAME → COPY → DELETE

M--NAME EASY select type: EASY GLIDER ACRO HELI

select destination memory to INFO 1 in memory X

select memory IN MEM

No memory switch if dest. memory = 0

No new model if destination memory = 0

**TIMER**

EXIT → START 1 0000 → T1 SW → T2 SW → RES OP 1340

Timer 1 Starting time mm:ss (59:59)

Timer 1 Switch

Timer 2 Switch

Reset operating hours hh:mm (99:59)

EXIT → TH → 54 → COMBI 0% → AI → AI 0% → SP → AI 0% → F → AI 0% → EL → AI 0%

AI → F 0% SP → F 0% F → F 0% EL → F 0% FIX F 0% QFS AI 0% QFS F 0%

TH → CO 0% SP → CO 0% F → CO 0%

V-TAIL 0% Y-LEAD 0.7

DELTA 0%

LEGEND: E EASY, G GLIDER, A ACRO

**TAIL**

EXIT → YAW 65% CP 65% OFFSET 65% CP ZRO 12%

H HELI

**GYRO**

EXIT → GYRO 65% HEADG 0

**ROTOR**

EXIT → V-ROT 29 TYPE 0

EXIT → IR AI 100% IR EL 100% IR RU 100% EXP AI 0% EXP EL 0% EXP RU 0%

FIX 0% FIX AI 100% FIX EL 100% FIX RU 100%

G GLIDER, A ACRO

**SETUP**

9.1 EXIT → MODEL → TRANSM → TEACHR → ADAPT → ASSIGN

9.1 EXIT → BAT AL 748v → TEXT → NAME → RESET 0 → --VER-- 100

OWNER

9.1 EXIT → MODE 4 → TH R 0 → SP+L R 0 → TH CHK 1 → PHASES

GLIDER, ACRO and HELI only!

EXIT → PHASES → COPY → SPEED

enable flight phases

idle/coll. pitch min. rear = 0 front = 1

**CONTROLS**

H HELI

TH → COLL P → CP 053 75% CP P1 15% CP P2 3 4 CP P5 100%

Quick-Select = select curve points by moving stick

5 point collective pitch curve

EXIT → TH053 75% TH P1 15% TH P2 3 4 TH P5 100% TH MIN 20%

Quick-Select = select curve points by moving stick

5 point throttle curve

Throttle min.

TH RR 100%

Throttle for autorotation

CS/ with A-ROT ON

**MIXER**

EXIT → MIX 1 %

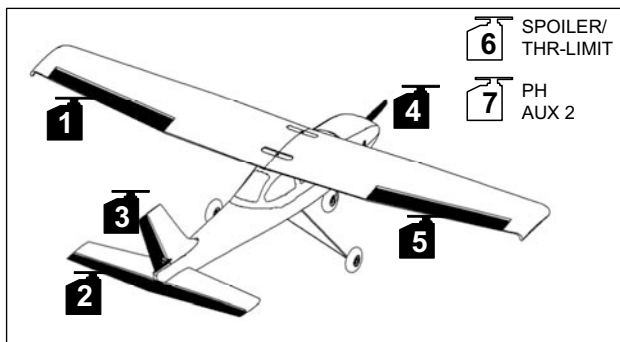
already defined? YES NO

EXIT → AI 52 17% MIXDEF %

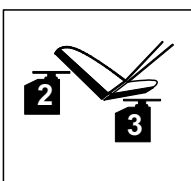
MIX 2 % MIX 3 %

Define as MIX 1! (see above)

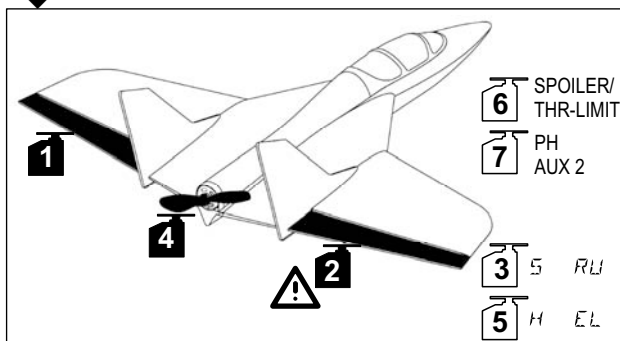
# EASY



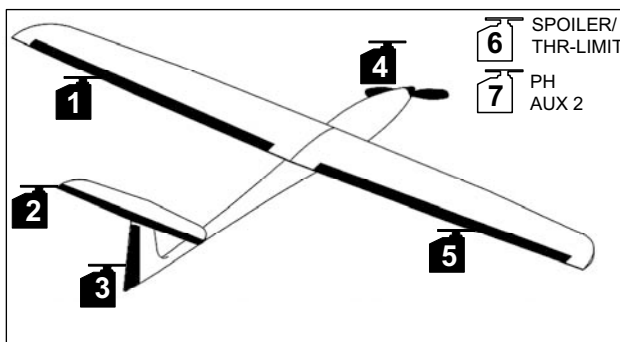
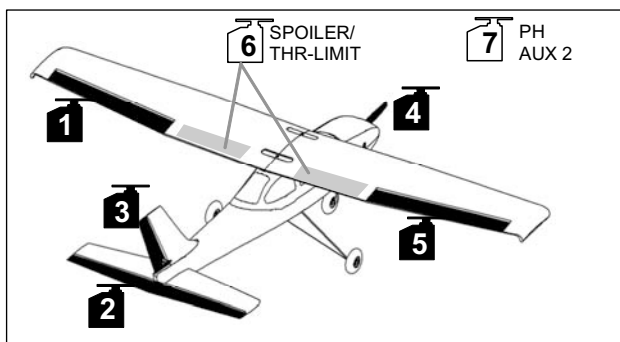
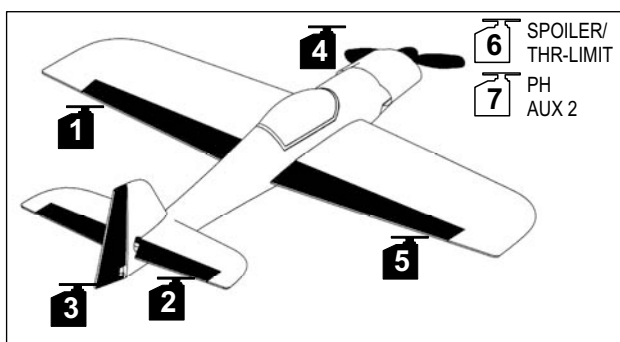
Σ: V-LEIT →  
V-TAIL



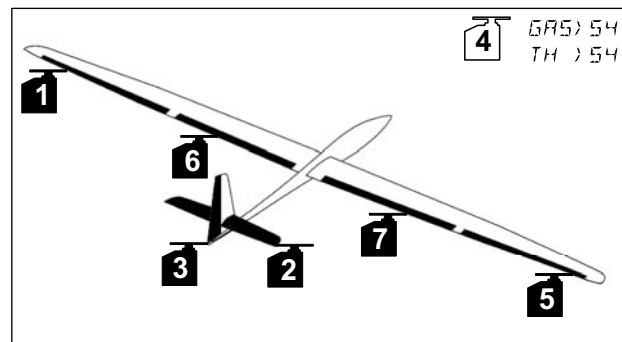
Σ: DELTA



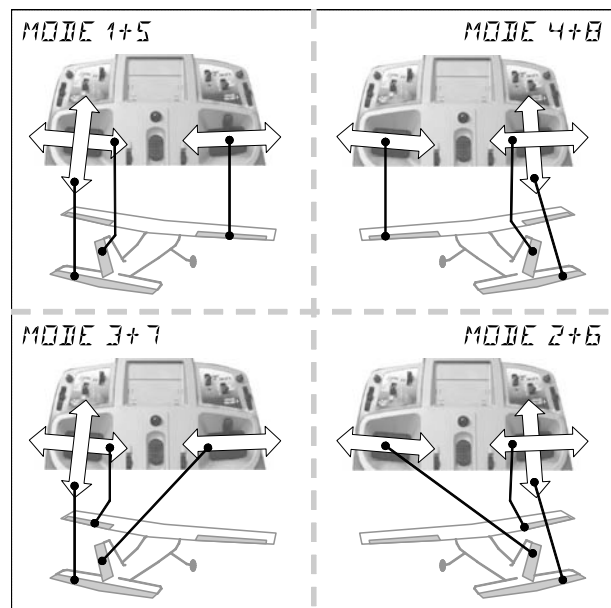
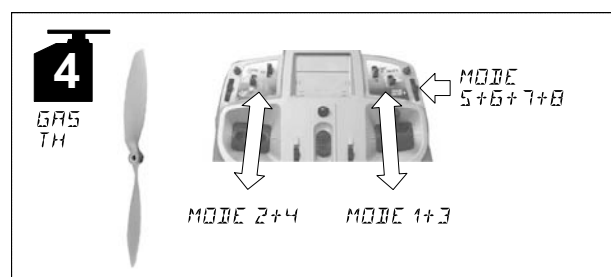
# ACRO



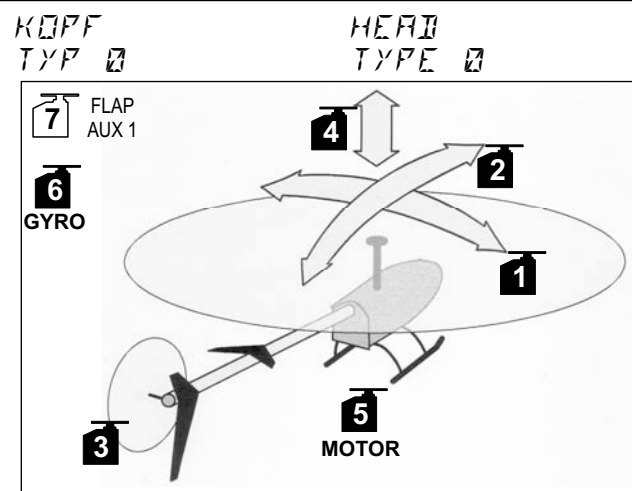
# SEGLER GLIDER



# MODE



# HEL I (mech./ no mixing)



# HEL I (CCPM)

KOPF TYP	HEAD TYPE	
3-P 90°	3-P 120°	4-P 90°
3	HECK TAIL	
6	GYRO	GYRO
7	FLAP AUX 1	

# POWER ON

	D	GB	F	E	I
<b>1</b> ↓ ON	Kanal wählen/ändern Mit gedrücktem 3D-Digi-Einsteller einschalten	Select / change channel Switch ON with digi adjuster pressed	Sélectionner / changer le canal Allumer avec la souris pressée	Seleccionar / cambiar el canal Enciende con el regulador digital pulsando	Scelta/cambio di canale Accendere con regolatore digitale premuto
↺↻	Kanal wählen und bestätigen	Select channel and confirm	Choisir le canal et confirmer	Seleccionar el canal y confirmar	Scegliere il canale e confermare
OFF	Ausschalten	Switch OFF	Mettre HORS fonction	Apague	Spegnere
<b>2</b> ON	Einschalten mit dem gesetztem Kanal (ohne Modul Channel-Check PLUS)	Switch on with channel set (without module Channel-Check PLUS)	Allumer avec canal choisi (sans module Channel-Check PLUS)	Enciende con canal elegido (sin modulo Channel-Check PLUS)	Accendere con canale scelto (senza modulo Channel-Check PLUS)
↓	Bestätigen	Confirm	Confirmer	Confirmar	Confermare
<b>3</b> ON ↓	Einschalten mit gesetztem Kanal UND Channel-Check PLUS Bestätigen	Switch on with channel set AND Channel-Check PLUS Confirm	Allumer avec canal choisi ET Channel-Check PLUS Confirmer	Enciende con canal elegido Y Channel-Check PLUS Confirmar	Accendere con canale scelto E Channel-Check PLUS Confermare
	Kanal belegt ! Kein HF-Signal	Occupied ! No RF signal	Occupé ! Aucun signal HF	¡Ocupado ! No señal HF	Occupato ! No segnale HF
	Kanal frei ! Normalbetrieb	Channel free! Normal operation	Canal libre ! Operation normal	¡Canal libre ! Operación normal	Canale libero ! Operazione normale

DE	TEXT	EN	EASY	ACRO	SEGLER GLIDER
PHASEN	PHASES		x	✓	✓
MIX ...			1	1,2,3	1,2,3
DELTA			✓	✓	x
V-LEIT	V-TAIL		✓	✓	✓
Y-KABL	Y-CABL		✓	✓	x
H → G	EL → AI		x	x	✓
Snap Flap					
DFS G	DFS AI				
DFS F	DFS F		x	x	✓
Offset					
FIX	FIX		x	x	✓
G,H,S	AI,EL,RU				
GAS > 54	TH > 54		✓	x	✓